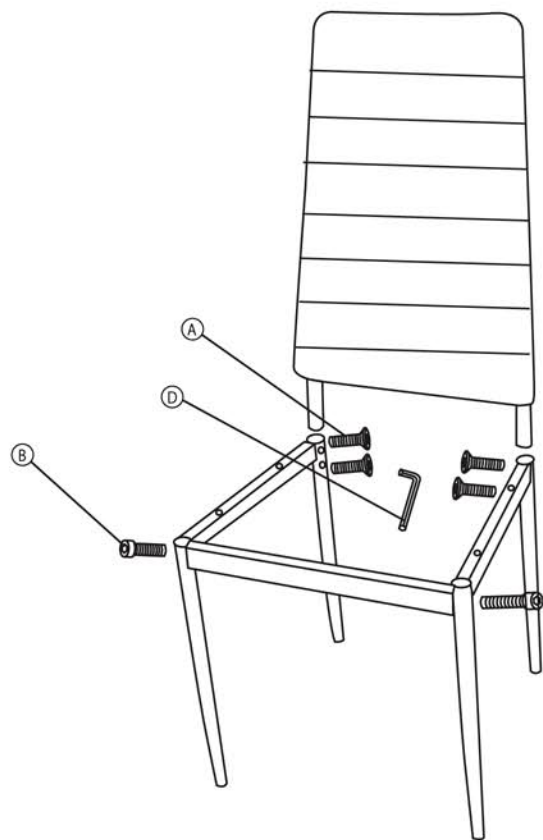
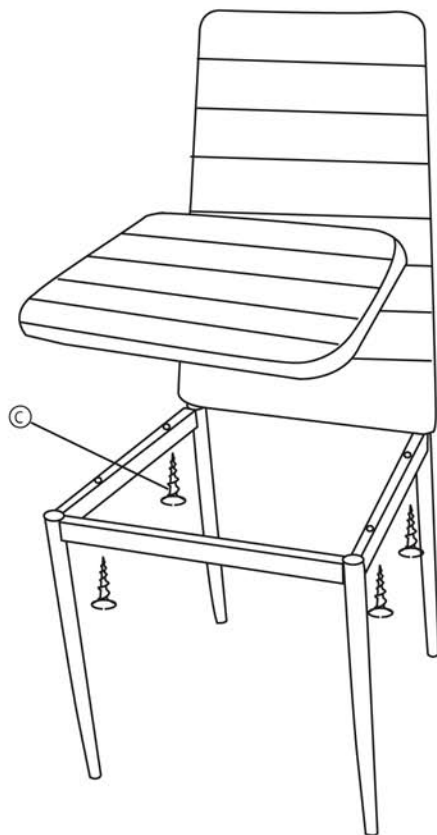


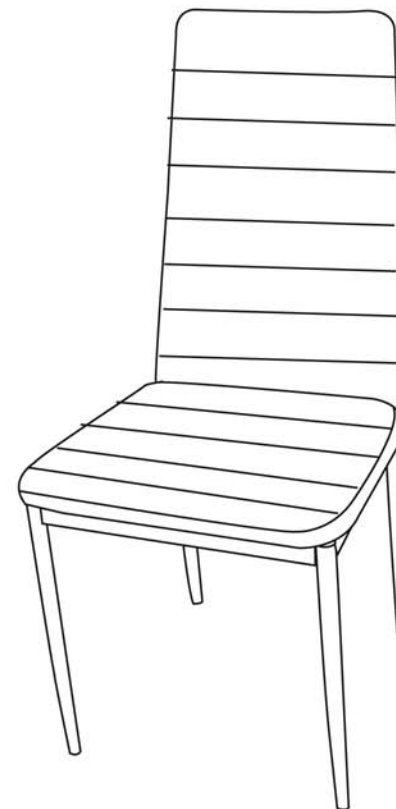
1



2



3



A



X 4

B



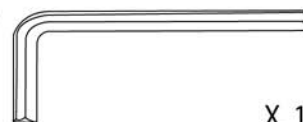
X 2

C



X 4

D



X 1